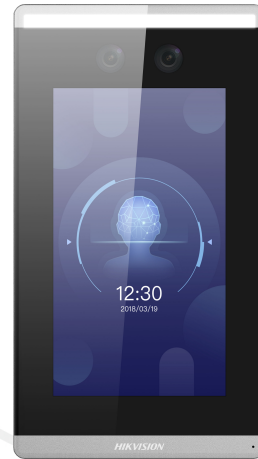


## DS-K5671-W Face Recognition Terminal

DS-K5671-W face recognition terminal adopts deep learning algorithm, which helps to recognize the face faster and more accurate. It also supports multiple authentication modes: 1:N face match, etc. When installed on the turnstile, it can be applied in multiple scenarios, such as buildings, businesses, financial industries, and other important areas.



### Available Model

DS-K5671-W

### Features

- Compatible with Hikvision turnstile
- Communicates with the third-party turnstile via IO output or Wiegand
- Water-proof
- 7-inch LCD touch screen
- 2 MP wide-angle dual lens
- Adjustable supplement light brightness
- Face recognition distance: 0.3 m to 3 m
- High performance processor with deep learning algorithm
- Face capacity: 50,000
- Face recognition duration < 0.2 s/User; face recognition accuracy rate ≥ 99%
- Multiple authentication modes
- Applies pictures to the device via TCP/IP or uploading them to the device via the USB flash drive
- Stand-alone operation
- Transmits and saves the comparison results and the captured pictures to the client software or others
- Device management, log search, and parameter settings via the device.
- Connects to one external card reader via RS-485 protocol
- Connects to Wiegand card reader via Wiegand protocol

- Remote live view via RTSP protocol; encoding mode: H.264
- Voice prompts
- Two-way audio with client software, indoor station, and master station
- NTP, manually time synchronization, and auto synchronization
- Watchdog design for protecting the device and ensuring device running properly
- Supports 6 attendance status, including check in, check out, break in, break out, overtime in, overtime out
- Supports multiple languages: English, Spanish, Arabic, Thai, Indonesian, and Russian
- Supports EHome 5.0 (ISUP 5.0), and ISAPI protocol
- Configuration via web browser

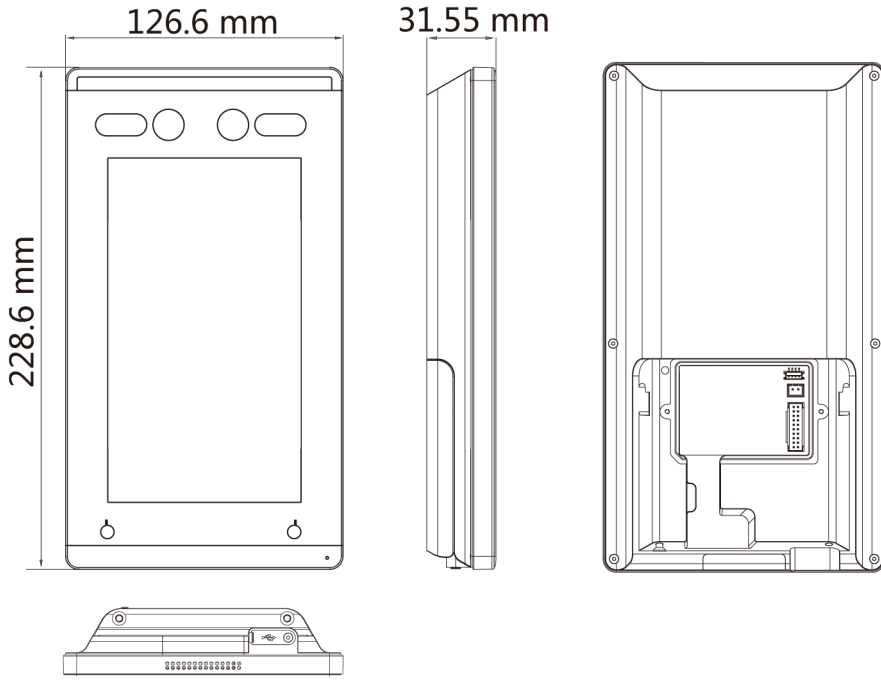
**\* Biometric recognition products cannot completely applicable to anti-spoofing environments . If you require a higher security level, use multiple authentication modes**

## Specifications

Model	DS-K5671-W
Face recognition distance	0.3 m to 3 m
Face recognition duration	< 0.2 s
Face anti-spoofing	Support
Face capacity	50,000
Event capacity	100,000
Screen	7-inch touch screen
Camera	2 MP dual-lens camera
Communication	TCP/IP, Wi-Fi
Interface	LAN × 1, RS-485 × 1, Wiegand × 1, USB × 1, IO output × 1, IO input × 2, lock × 1, door contact × 1
Audio prompt	Support
Two-way audio	Support
Power supply	12 VDC/2 A
Working humidity	0 to 90% (no condensing)
Working temperature	-30 °C to +60 °C (-22 °F to +140 °F)
Protection level	IP65

**\* Exposing the equipment to direct sun light, low ventilation or heat source such as heater or radiator is forbidden (ignorance can cause fire danger).**

**Dimensions**



**Accessory**



**DS-KAB5671-S**