

**DS-K1T8003MF
Fingerprint Access Control Terminal**



- 2.4-inch LCD Display Fingerprint Access Control Terminal, Built-in Mifare card reading module
- Communication: TCP/IP, ISUP5.0; 1000 users, 1000 fingerprints, 1000 card and Max. 100,000 event records
- Support Access Control and Time Attendance Function, Optical Fingerprint Module
- Remotely opens door via Hik-Connect mobile client; Tamper alarm.

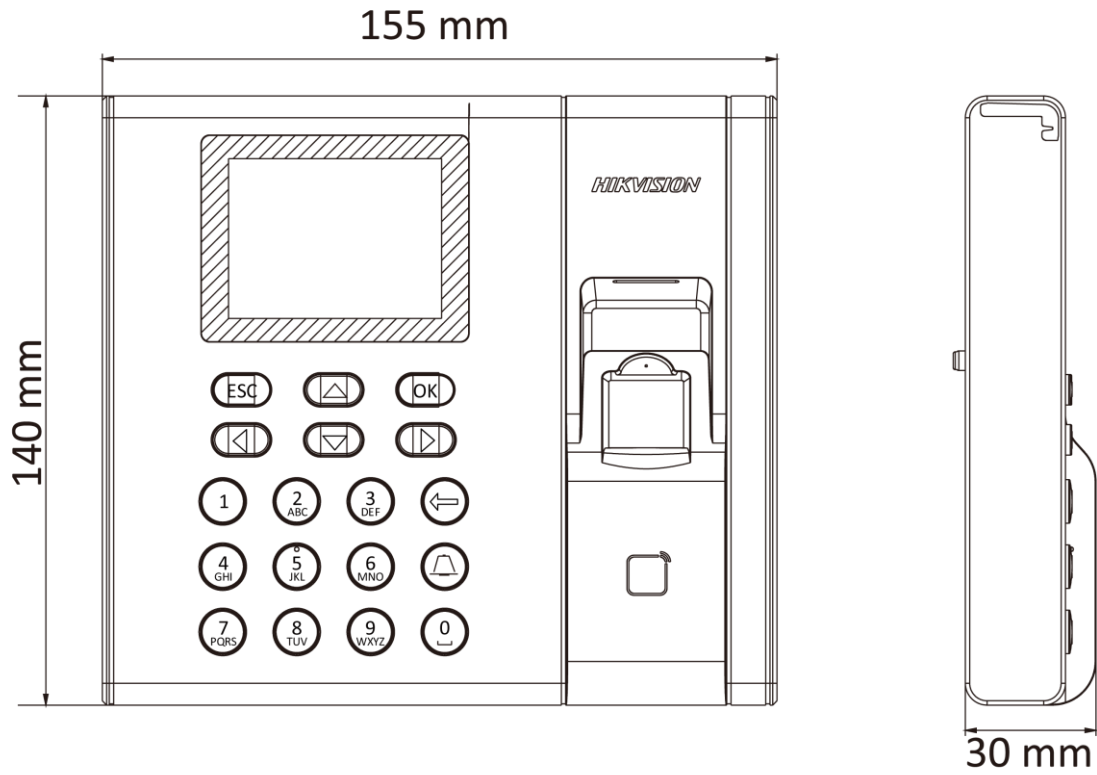
▪ Specification

Display	
Screen size	2.4-inch
Type	LCD-TFT display screen
Audio	
Audio output	1 loudspeaker, 1 buzzer
Network	
Wired network	TCP/IP, 10/100Mbps, self-adaptive
Communication protocol	TCP/IP, ISUP
Interface	
Network interface	1
Lock control	1
Exit button	1
Door contact input	1
TAMPER	1
USB	1
Capacity	
Card capacity	1000
Fingerprint capacity	1000
Event capacity	100,000
Authentication	
Card type	Mifare 1 card
Card reading distance	0 to 5 cm
Fingerprint module	Optical fingerprint module
Fingerprint comparing mode	1:1 and 1:N
Fingerprint recognition duration	< 1 s
General	
Power supply	12 VDC/1 A
Working temperature	-10 °C to +55 °C (14 °F to +131 °F)
Working humidity	10% to 90% (no condensing)
Color	Silver
Dimensions	140 mm × 155 mm × 30 mm (5.51" × 6.01" × 1.18")
Self Service Reports (SSR)	Stand-alone operation, calculate attendance data and export reports via USB interface
Installation	Wall mounting
Weight	Gross weight: 0.78 kg (1.72 lbs) Net weight: 0.22 kg (0.48 lbs)

▪ Available Model

DS-K1T8003MF

▪ **Dimension**



▪ **Accessory**

▪ **Optional**

