

**DS-K1T320MX
Face Recognition Terminal**

Face recognition terminal adopts deep learning algorithm, which helps to recognize the face faster with higher accuracy. It also supports multiple authentication modes: face/card/PIN authentication, etc. It can be applied in multiple scenarios, such as buildings, enterprises, financial industries, and other important areas.

- 2.4-inch LCD screen, 2 MP lens
- Multiple authentication modes, including face, card, and PIN, etc.
- Supports M1 card
- Max. 500 faces, 1,000 cards, and 100,000 events
- Face recognition duration < 0.2 s/User
- Supports ISAPI and ISUP 5.0 protocols
- Configuration via the web client

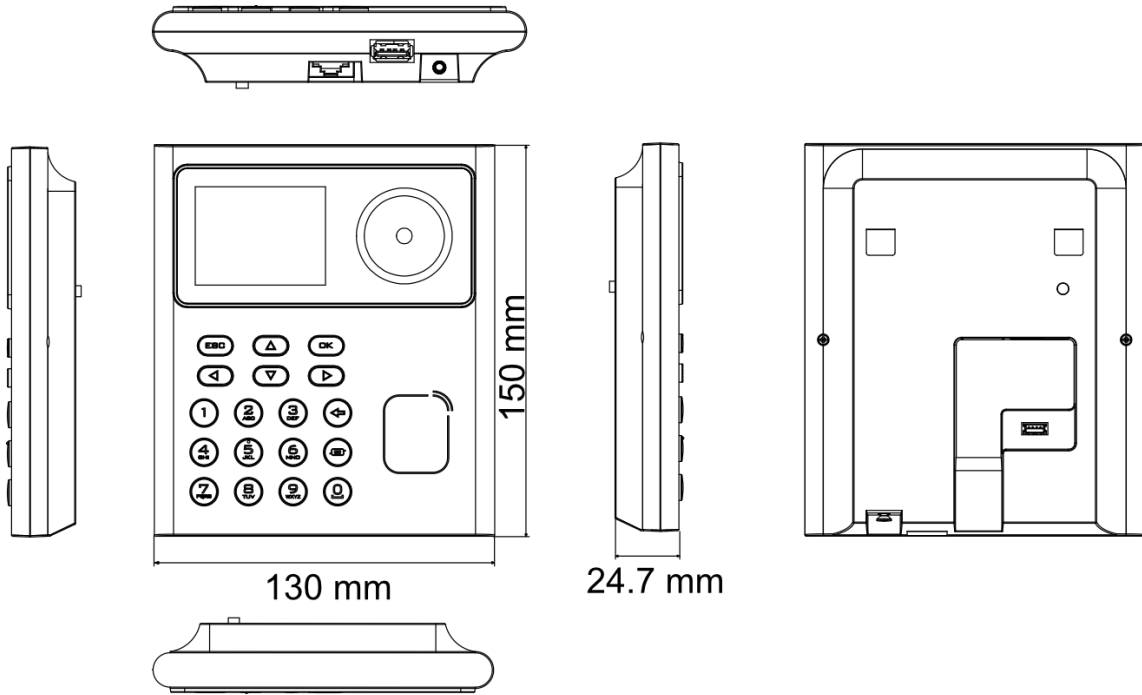
▪ Specification

Display	
Screen size	2.4 inch
Type	LCD
Video	
Lens	1
Resolution	2 MP (video stream: 720P)
FOV	HFOV = 43°; VFOV = 25°
Network	
Wired network	Support
Interface	
Network interface	1 RJ-45, 10/100 M self-adaptive
Lock control	1
Exit button	1
Door contact input	1
TAMPER	1
USB	1
Authentication	
Card type	M1 card
General	
Built-in access controller	Yes
Power supply	12 VDC
Power consumption	≤ 6 W
Working temperature	-10 °C to 55 °C (14 °F to 131 °F)
Working humidity	0 to 90% (No condensing)
Language	English, Spanish (South America), Arabic, Thai, Indonesian, Russian, Vietnamese, Portuguese (Brazil), Korean, Japanese
Function	
Face anti-spoofing	Support

▪ Available Model

DS-K1T320MX

▪ **Dimension**



▪ **Accessory**

▪ **Optional**

DS-KAB320-D1 320 Bracket	DS-KAB6-W1 Bracket
